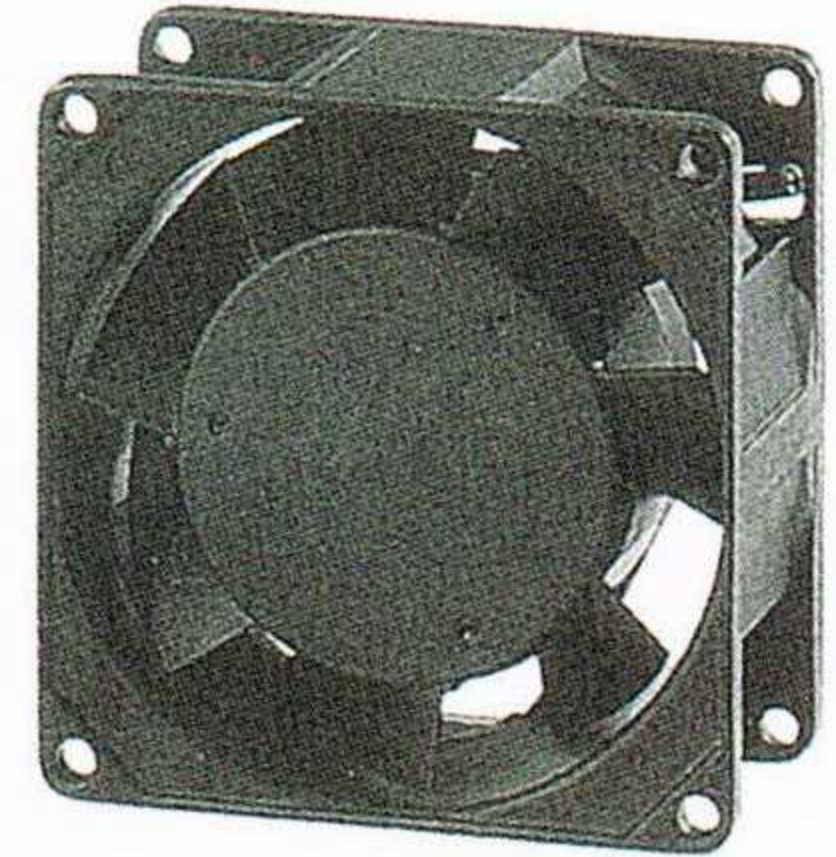
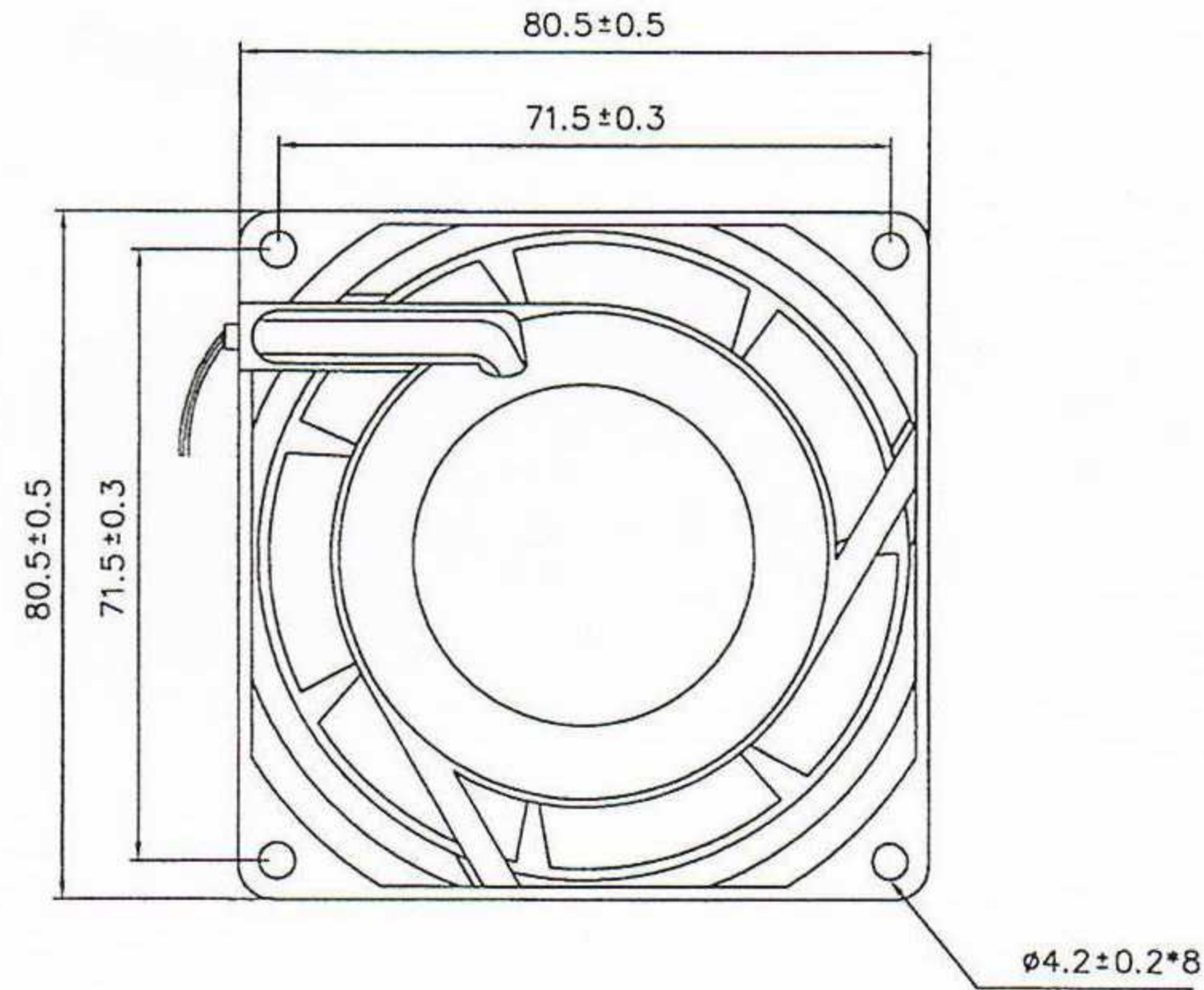
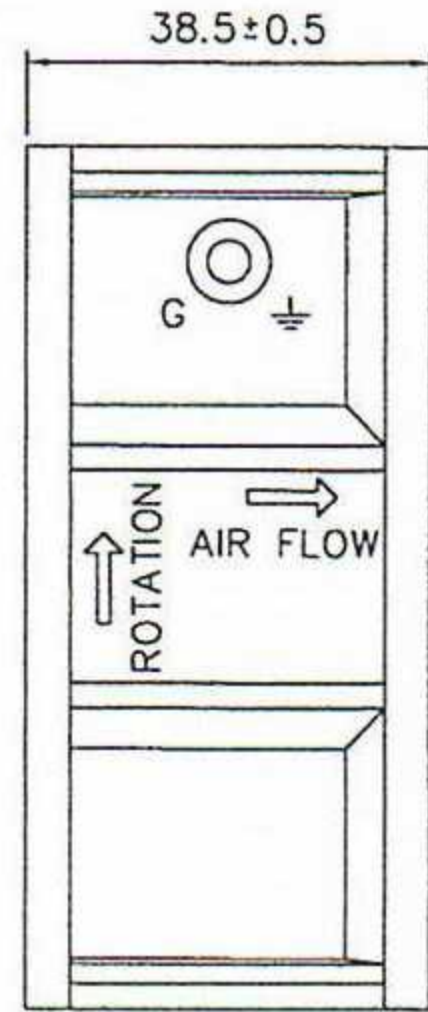


SIZE: 80x80x38mm

Bearing Type:

Ball / Sleeve Bearing

Leader Wire Or Terminal Is Available



Specifications

Specifications are subject to change without notice

Model No.	Bearing	Rated Voltage Vac	Frequency Hz	Input Current A	Input Power W	Speed R.P.M.	Max. Air Flow CFM	Static Pressure InchAq	Noise dB-A	Weight g
KA8038HA1SAT(L)	Sleeve	115	50/60	0.10/0.13	6.75/8.98	2300/2800	24.0/30.1	0.112/0.170	25.3/31.6	320
KA8038HA1BAT	Ball									
KA8038HA2SAT(L)	Sleeve	230	50/60	0.06/0.07	6.80/8.80	2300/2800	24.0/30.1	0.112/0.170	25.3/31.6	
KA8038HA2BAT	Ball									