

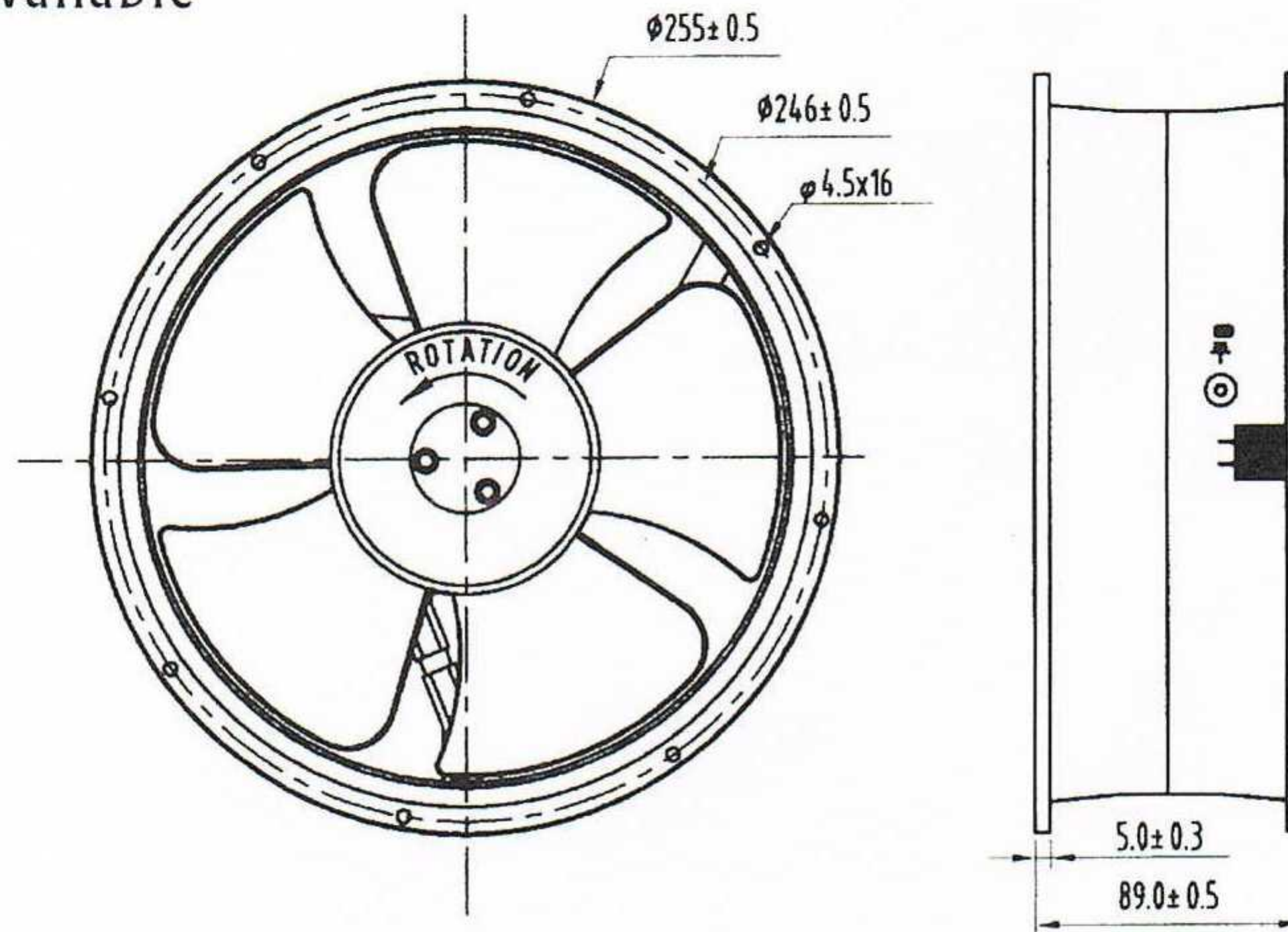
**SIZE:  $\phi$  254x89mm**

Bearing Type:

Ball

Leader Wire Or Terminal Is Available

★Thermal Switch



## Specifications

Specifications are subject to change without notice

Model No.	Bearing	Rated Voltage Vac	Frequency Hz	Input Current A	Input Power W	Speed R.P.M.	Max. Air Flow CFM	Static Pressure InchAq	Noise dB-A	Weight g
※★KA2509HA1BAT	Ball	115	50/60	0.45/0.56	50/63	2500/2500	850/850	0.50/0.45	66/66	
※★KA2509HA2BAT	Ball	230	50/60	0.22/0.28	50/64	2500/2500	850/850	0.50/0.45	66/66	1940
※★KA2509HA3BAT	Ball	380	50/60	0.14/0.18	48/62	2500/2500	850/850	0.50/0.45	66/66	

※為鼠籠式+電容