

SIZE: ϕ 222x80mm

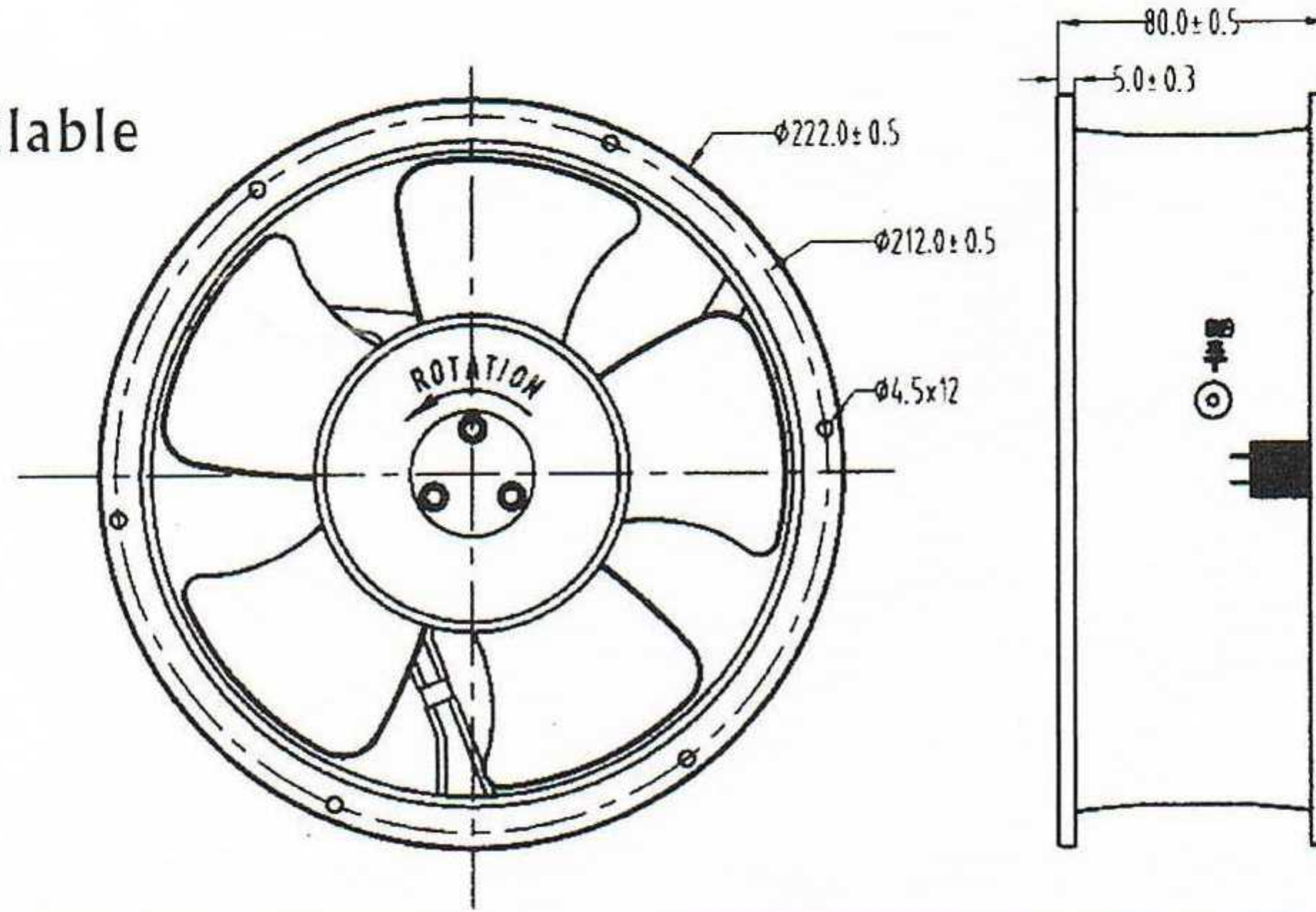
Bearing Type:

Ball

Leader Wire Or Terminal Is Available

★Thermal Switch

CE



Specifications

Specifications are subject to change without notice

Model No.	Bearing	Rated Voltage Vac	Frequency Hz	Input Current A	Input Power W	Speed R.P.M.	Max. Air Flow CFM	Static Pressure InchAq	Noise dB-A	Weight g
※★KA2208HA1BAT	Ball	115	50/60	0.5/0.6	54/67	2500/2500	710/710	0.45/0.43	60/60	
※★KA2208HA2BAT	Ball	230	50/60	0.22/0.29	49/64	2500/2500	710/710	0.45/0.43	60/60	1605
※★KA2208HA3BAT	Ball	380	50/60	0.13/0.16	50/63	2500/2500	710/710	0.45/0.43	60/60	

※為鼠籠式+電容