

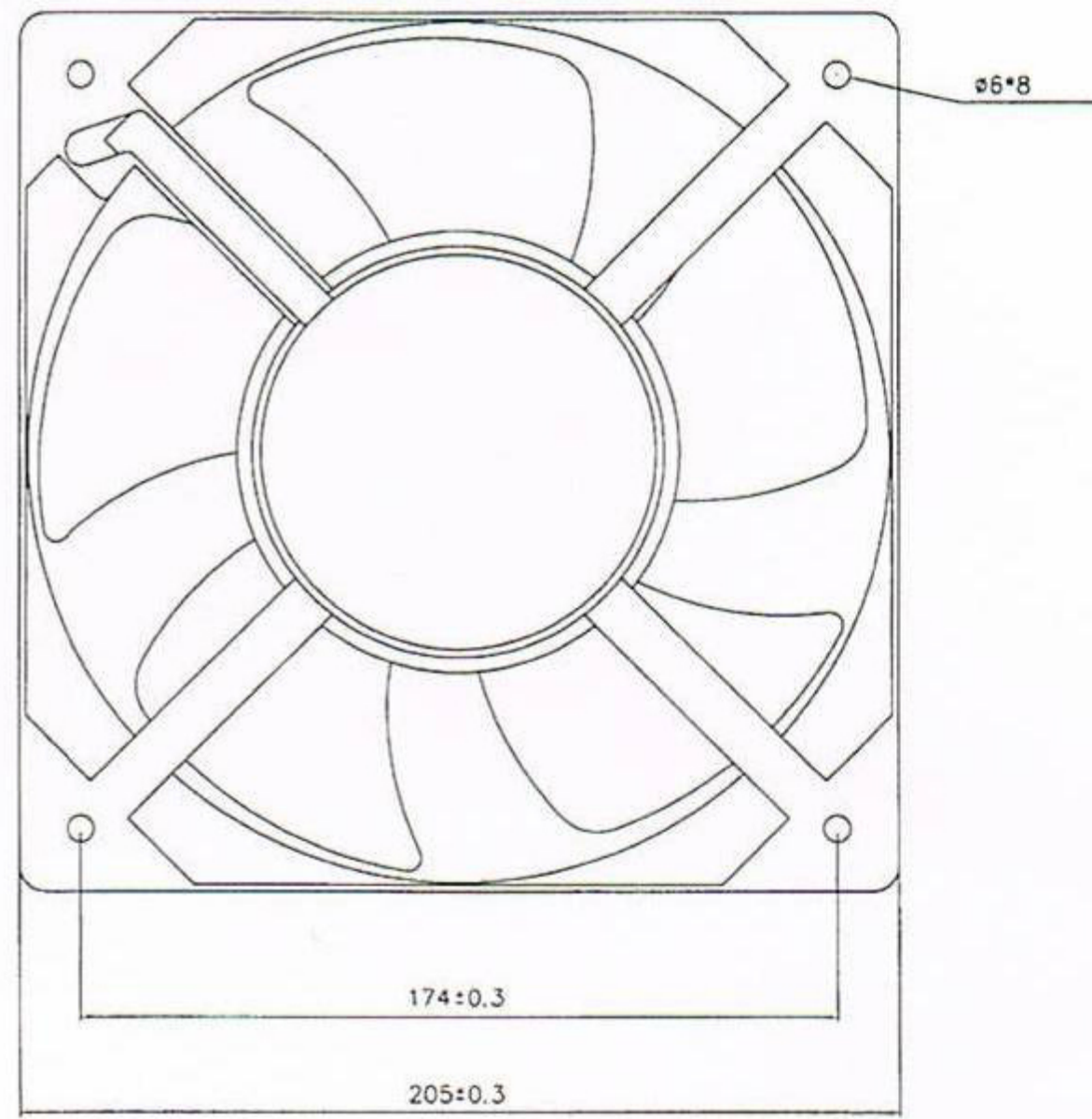
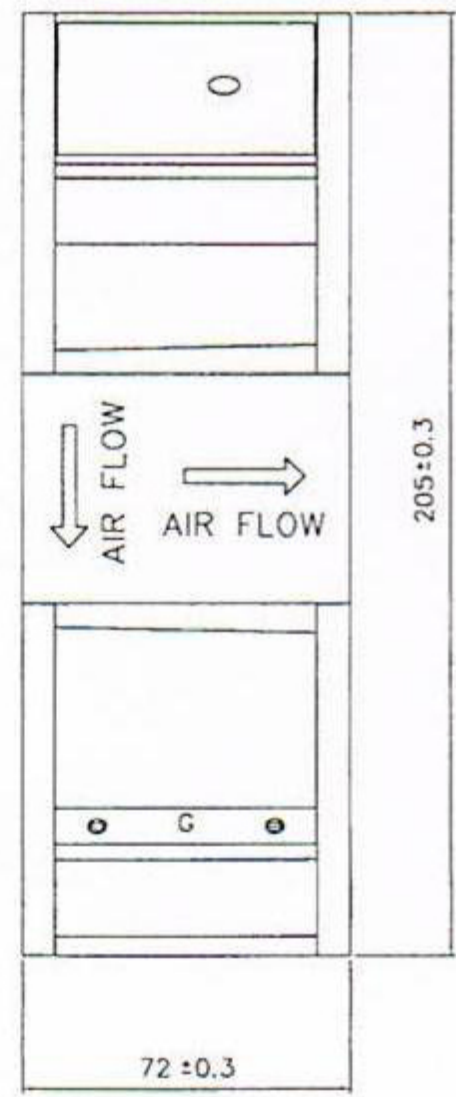
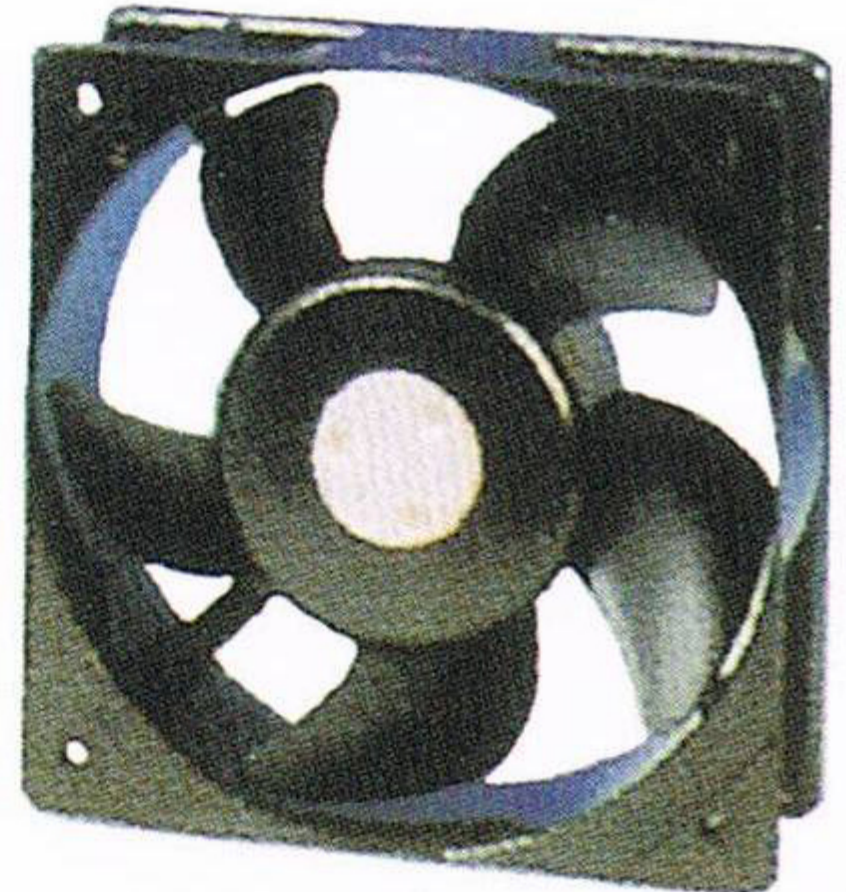
SIZE: 205x205x72mm

Bearing Type:

Ball

Leader Wire Or Terminal Is Available

★Thermal Switch



Specifications

Specifications are subject to change without notice

Model No.	Bearing	Rated Voltage Vac	Frequency Hz	Input Power W	Speed R.P.M.	Max. Air Flow CFM	Max. Air Pressure IN H ₂ O	Noise dB-A	Weight g
※★KA2072HA1BAT	Ball	115	50/60	68/97	2900/3000	850/930	0.65/0.68	70/75	2180
※★KA2072HA2BAT	Ball	230	50/60	70/97	2900/3000	850/930	0.65/0.68	70/75	
※★KA2072HA3BAT	Ball	380	50/60	68/97	2900/3000	850/930	0.65/0.68	70/75	