

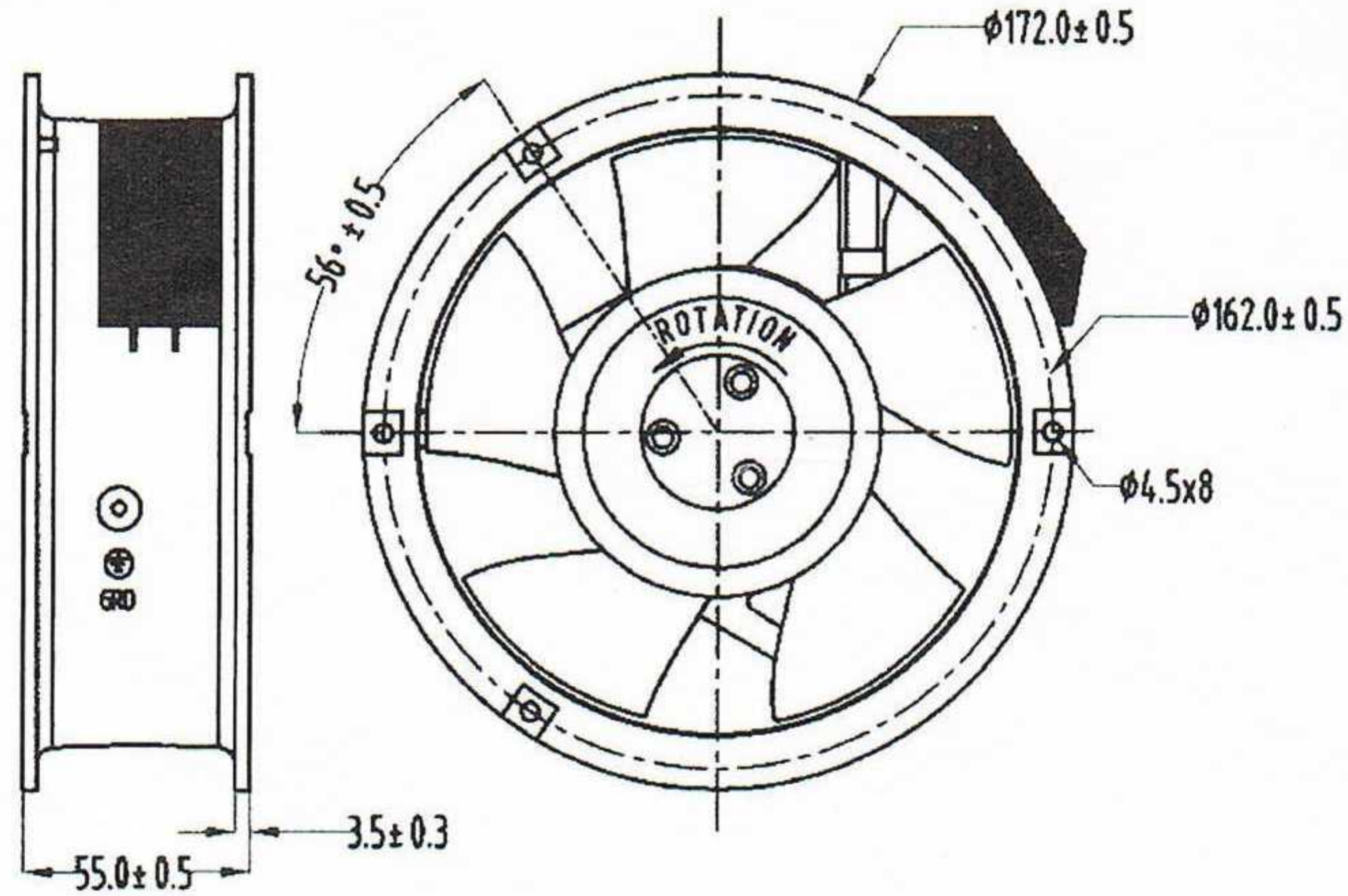
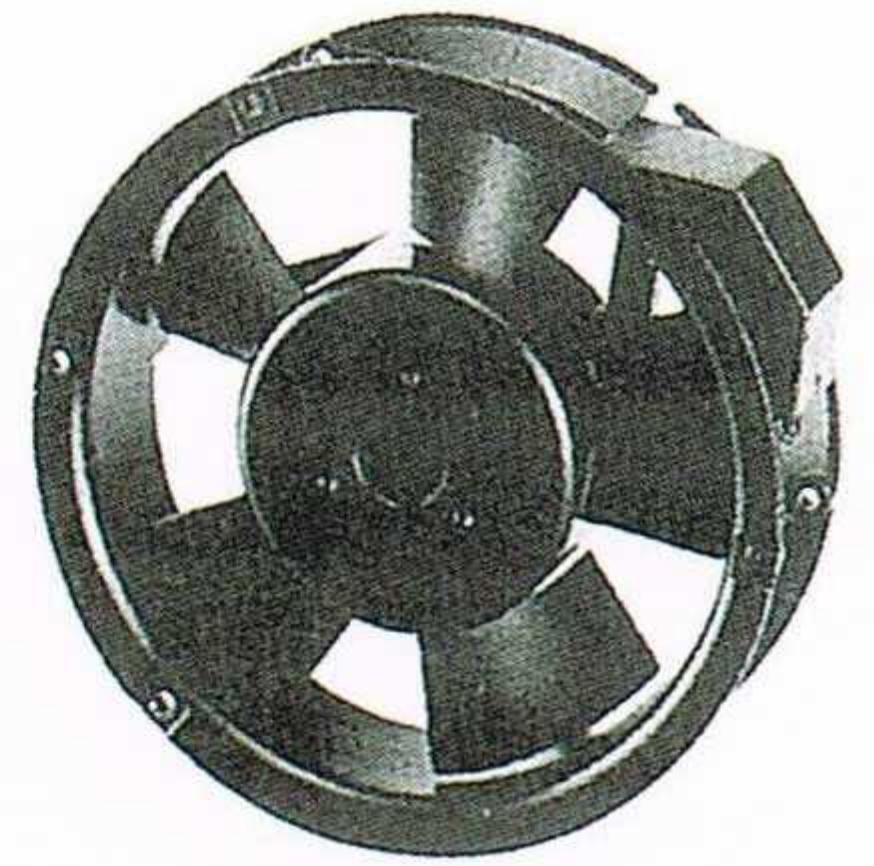
SIZE: ϕ 172x55mm

Bearing Type:

Ball

Leader Wire Or Terminal Is Available

★Thermal Switch



Specifications

Specifications are subject to change without notice

Model No.	Bearing	Rated Voltage Vac	Frequency Hz	Input Current A	Input Power W	Speed R.P.M.	Max. Air Flow CFM	Static Pressure InchAq	Noise dB-A	Weight g
※★KA17255HA1BAT	Ball	115	50/60	0.20/0.30	25/33	2800/3300	250/300	0.7/0.9	50/55	
※★KA17255HA2BAT	Ball	230	50/60	0.11/0.13	26/33	2800/3300	250/300	0.7/0.9	50/55	1000
※★KA17255HA3BAT	Ball	380	50/60	0.09/0.09	34/37	2800/3300	250/300	0.7/0.9	50/55	

※為鼠籠式+電容