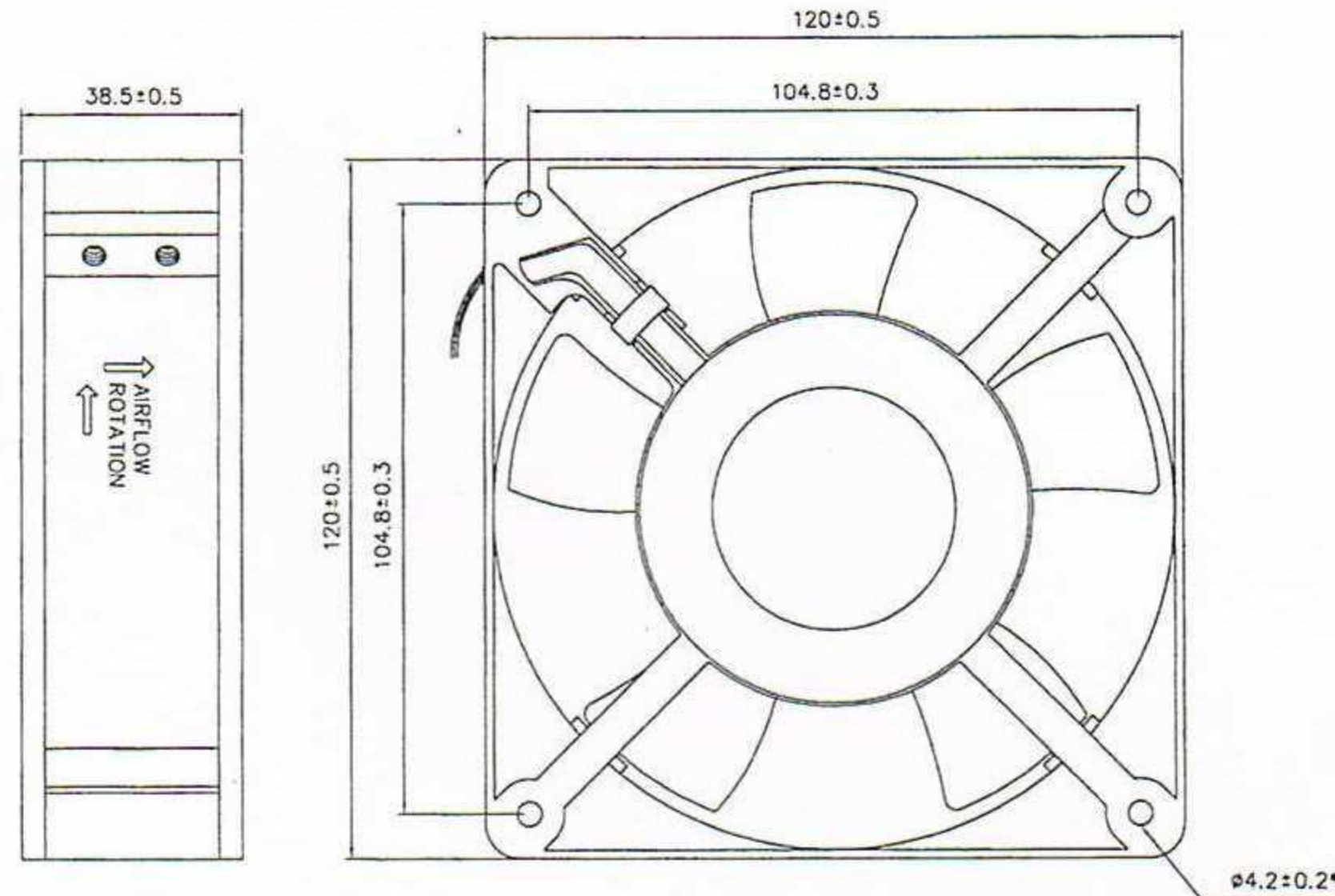
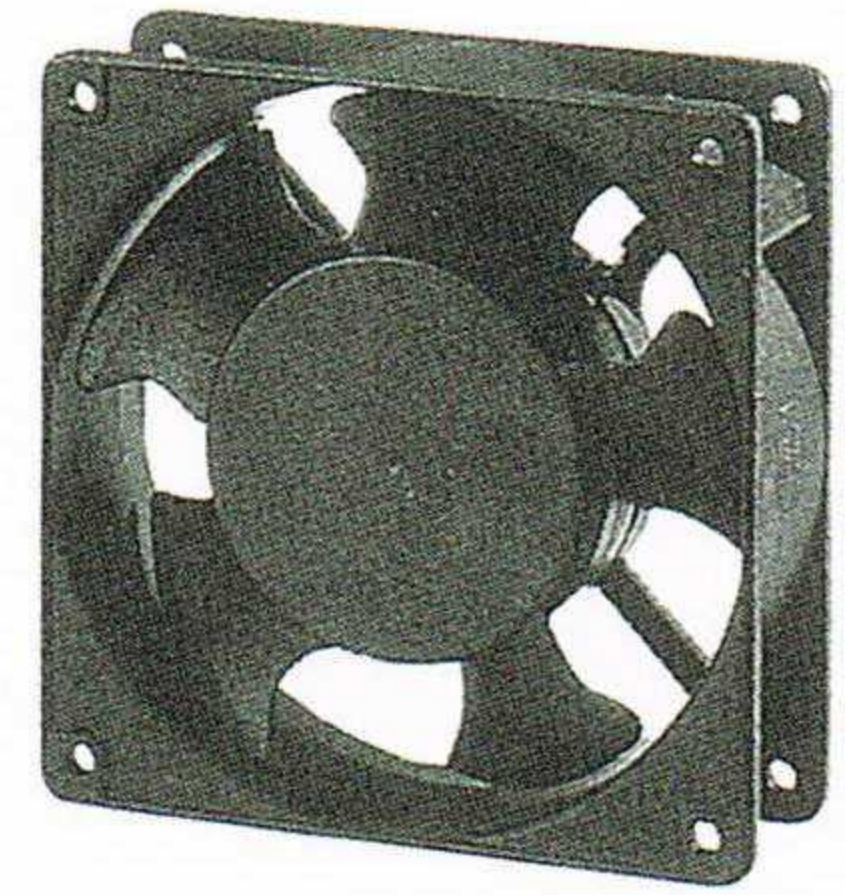


# SIZE: 120x120x38.5mm

Bearing Type:

Ball / Sleeve Bearing

Leader Wire Or Terminal Is Available



## Specifications

Specifications are subject to change without notice

Model No.	Bearing	Rated Voltage Vac	Frequency Hz	Input Current A	Input Power W	Speed R.P.M.	Max. Air Flow CFM	Static Pressure InchAq	Noise dB-A	Weight g
KA1238LA1SAT(L)	Sleeve	115	50/60	0.13/0.14	8.86/9.21	2100/2400	75.9/82.8	0.083/0.170	37/39	550
KA1238LA1BAT	Ball									
KA1238MA1SAT(L)	Sleeve	115	50/60	0.21/0.25	13.7/15.8	2500/2700	86.4/91.3	0.169/0.211	38/41	
KA1238MA1BAT	Ball									
KA1238HA1SAT(L)	Sleeve	115	50/60	0.23/0.27	23.97/28.66	2500/2700	102.8/111.9	0.239/0.252	46.4/48.1	
KA1238HA1BAT	Ball									
KA1238LA2SAT(L)	Sleeve	230	50/60	0.07/0.07	9.40/9.90	2100/2400	75.9/82.8	0.083/0.170	37/39	
KA1238LA2BAT	Ball									
KA1238MA2SAT(L)	Sleeve	230	50/60	0.09/0.10	12.60/13.70	2500/2700	86.4/91.3	0.169/0.211	38/41	
KA1238MA2BAT	Ball									
KA1238HA2SAT(L)	Sleeve	230	50/60	0.11/0.12	21.38/21.59	2500/2700	102.8/111.9	0.239/0.252	46.4/48.1	
KA1238HA2BAT(L)	Ball									
KA1238HA24BAT	Ball	24	50/60	0.64/0.73	14.3/16.3	2800/3000	102.8/111.9	0.239/0.252	46.4/48.1	
KA1238HA3BAT	Ball	380	50/60	0.06/0.07	21.20/24.74	2800/3000	102.8/111.9	0.239/0.252	46.4/48.1	