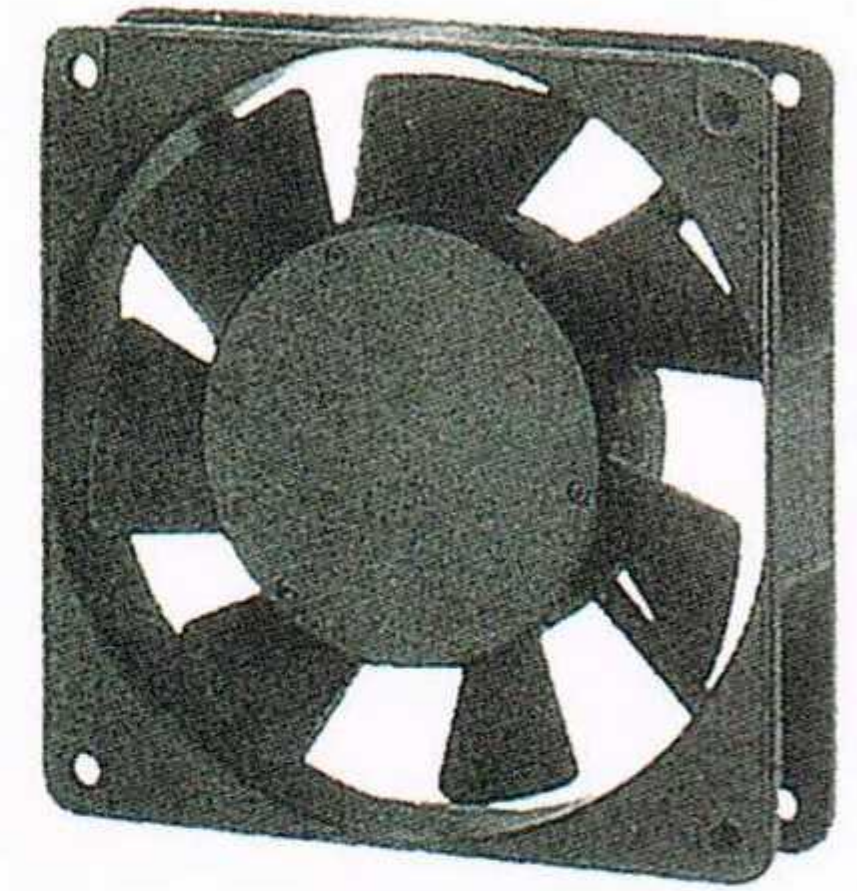
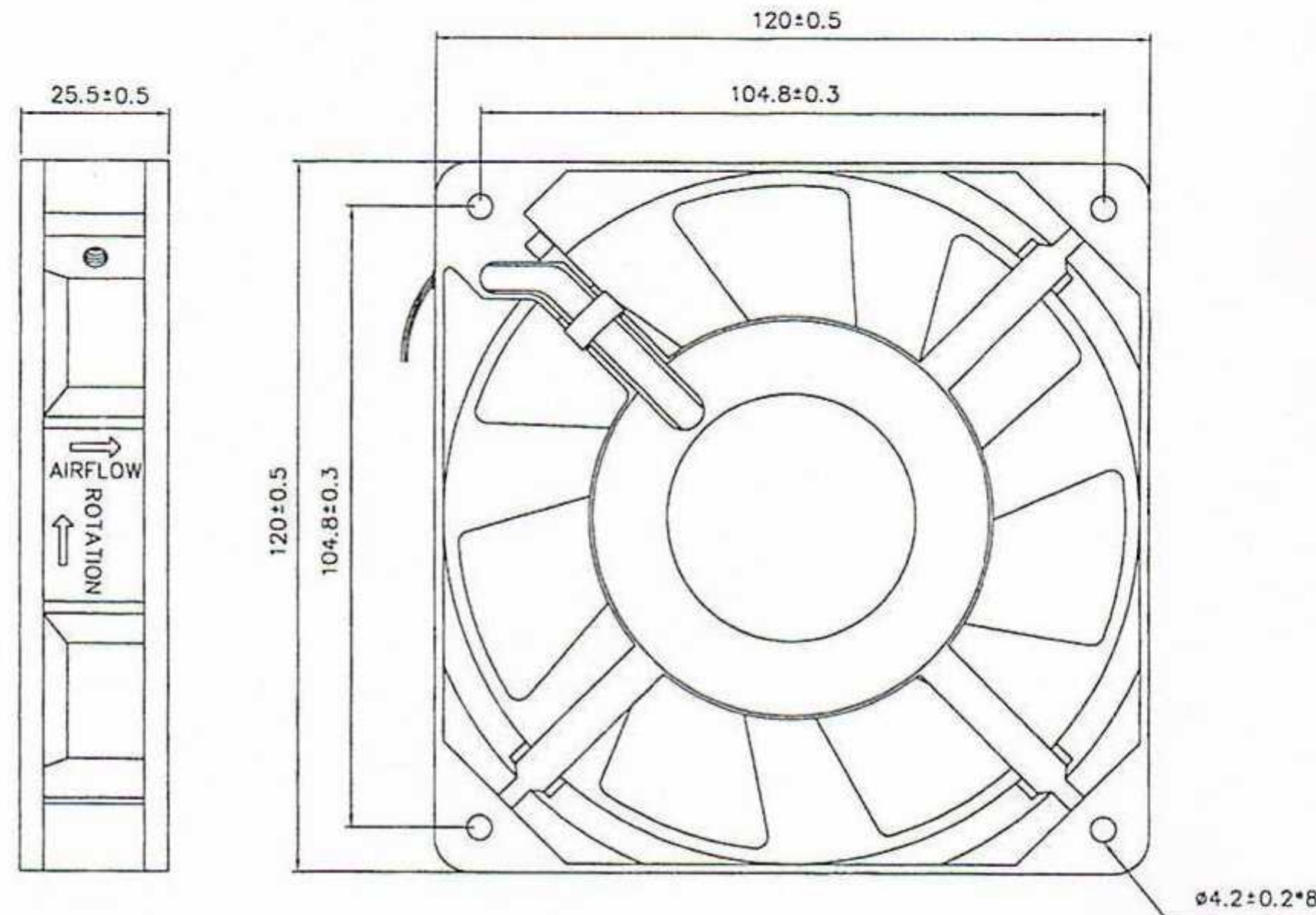


# SIZE: 120x120x25mm

Bearing Type:

Ball / Sleeve Bearing

Leader Wire Or Terminal Is Available



## Specifications

Specifications are subject to change without notice

Model No.	Bearing	Rated Voltage Vac	Frequency Hz	Input Current A	Input Power W	Speed R.P.M.	Max. Air Flow CFM	Static Pressure InchAq	Noise dB-A	Weight g
KA1225HA1SAT(L)	Sleeve	115	50/60	0.19/0.22	19.6/23.0	2050/2400	61.0/72.0	0.14/0.14	38.7/44.1	340
KA1225HA1BAT	Ball									
KA1225HA2SAT(L)	Sleeve	230	50/60	0.10/0.11	18.4/20.7	2050/2400	61.0/72.0	0.14/0.14	38.7/44.1	
KA1225HA2BAT	Ball									