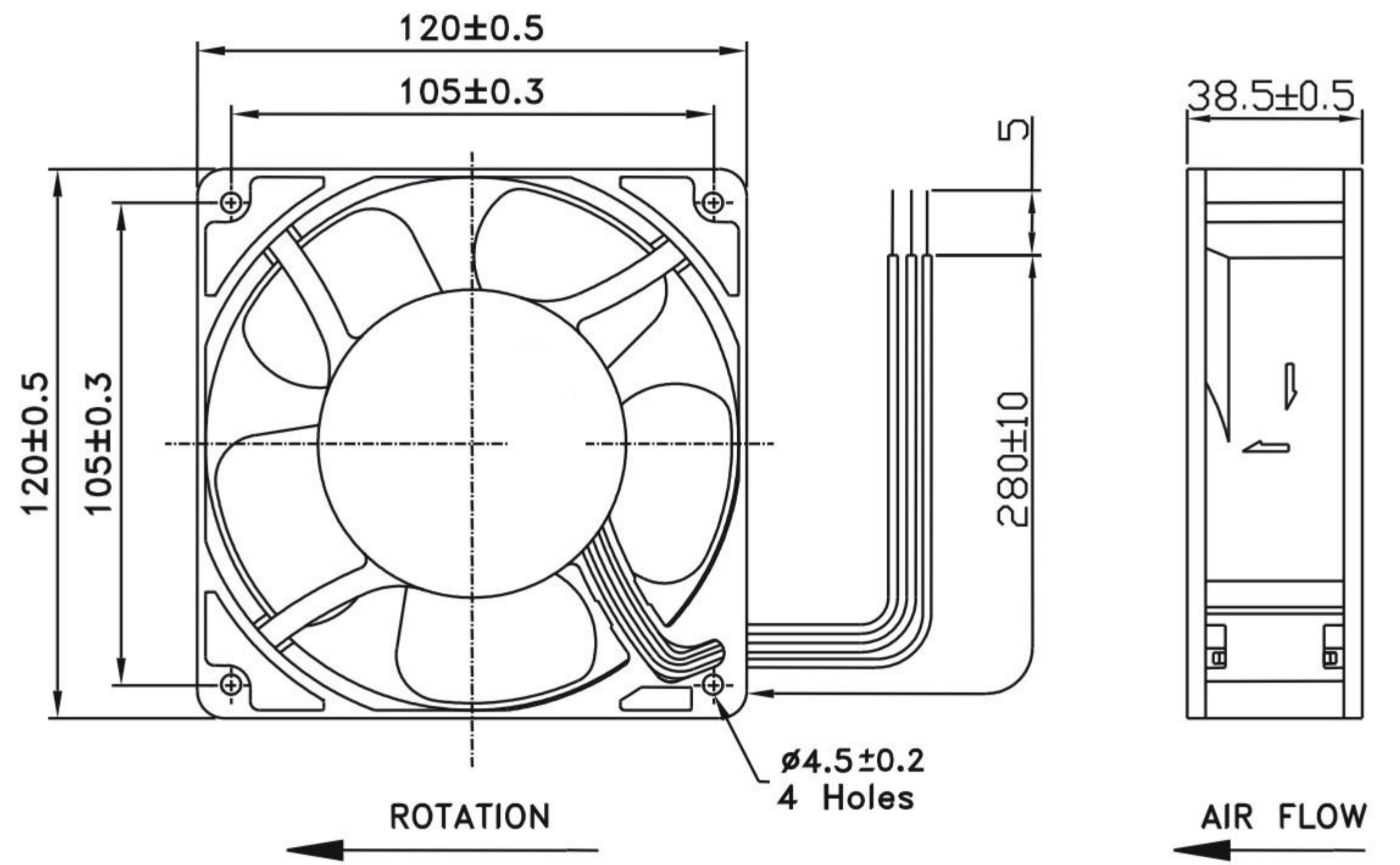


## ◀ AD12038 SERIES ▶



### External Dimensions



Frame: Plastic(UL:94V-0)  
 Impeller: Plastic(UL:94V-0)  
 Bearing: Ball bearing  
 Lead wire: UL1007AWG24  
 VOLTAGE AVAILABLE: 12V, 24V, 48V

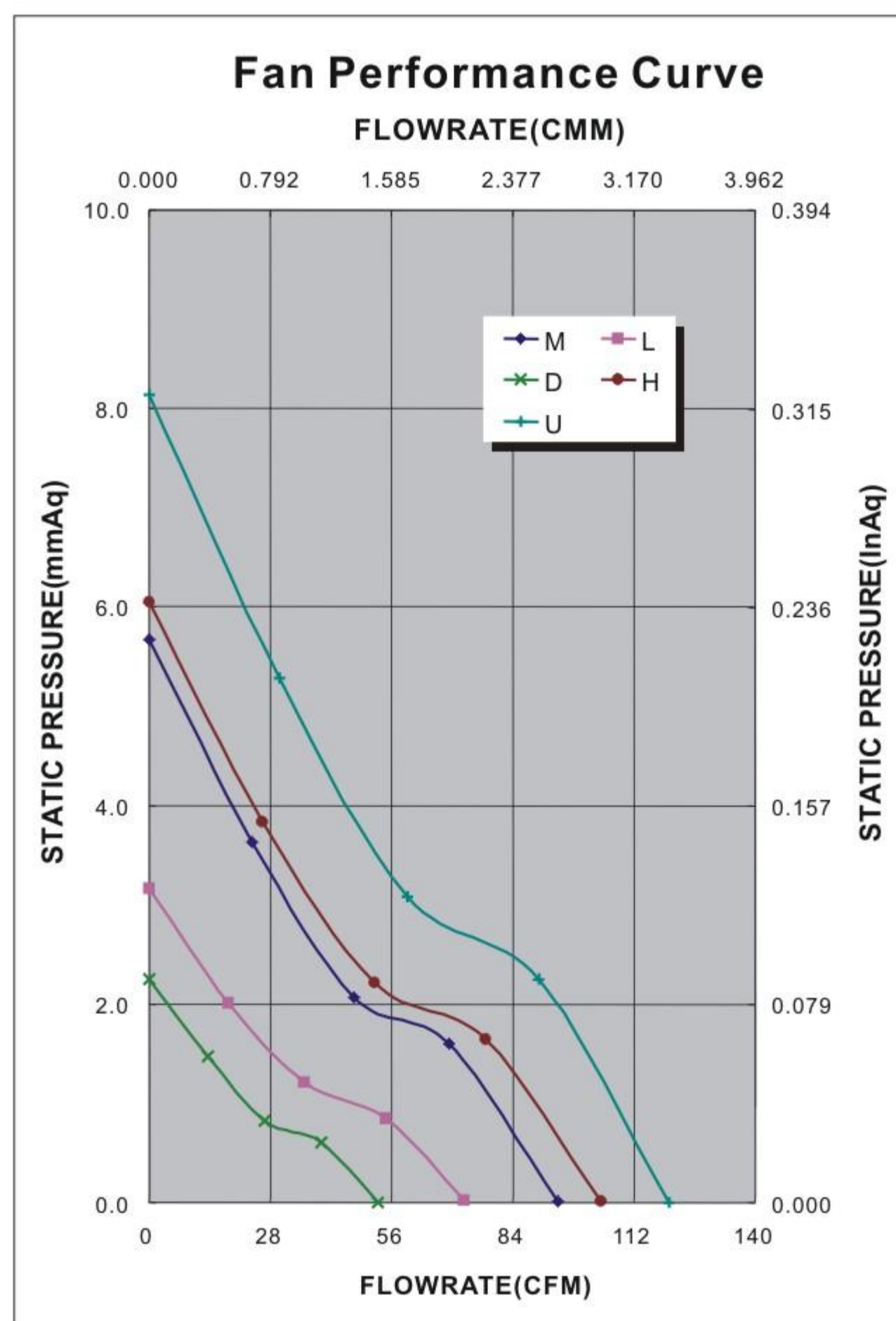
### Specifications(Nominal)

\*: Noise is measured at the distance of one (1) meter from the axis of intake.

Bearing type: ◎=Ball※=Sleeve○=1B1S●=Hypro bearing

Frame size (mm)	Model No.	Bearing System Type	Rated Voltage (VDC)	Rated Current (A)	Rated Power (W)	Rated Speed (rpm)	Maximum AirFlow (CMM)	Maximum AirFlow (CFM)	Maximum Pressure (InAq)	Maximum Pressure (mmAq)	Noise Level (dB/A)	Weight (g)
120x120x38	AD1212DB-F51	◎※●	12	0.16	1.92	1500	1.508	52.80	0.088	2.24	27.4	297.0
	AD1212LB-F51	◎※●	12	0.24	2.88	1950	2.065	72.30	0.127	3.17	32.9	
	AD1212MB-F51	◎※●	12	0.35	4.20	2540	2.685	94.00	0.227	5.67	41.0	
	AD1212HB-F51	◎※●	12	0.50	6.00	2800	2.994	104.80	0.242	6.05	42.8	
	AD1212UB-F51	◎※●	12	0.70	8.40	3200	3.405	120.24	0.326	8.14	48.0	
	AD1224DB-F51	◎※●	24	0.10	2.40	1500	1.508	52.80	0.088	2.24	27.4	
	AD1224LB-F51	◎※●	24	0.14	3.36	1950	2.065	72.30	0.127	3.17	32.9	
	AD1224MB-F51	◎※●	24	0.23	5.52	2540	2.685	94.00	0.227	5.67	41.0	
	AD1224HB-F51	◎※●	24	0.32	7.68	2800	2.994	104.80	0.342	6.05	42.8	
	AD1224UB-F51	◎※●	24	0.40	9.60	3200	3.405	120.24	0.326	8.14	48.0	
	AD1248DB-F51	◎※●	48	0.08	3.84	1500	1.508	52.80	0.088	2.24	27.4	
	AD1248LB-F51	◎※●	48	0.10	4.80	1950	2.065	72.30	0.127	3.17	32.9	
	AD1248MB-F51	◎※●	48	0.14	6.72	2540	2.685	94.00	0.227	5.67	41.0	
	AD1248HB-F51	◎※●	48	0.20	9.60	2800	2.994	104.80	0.342	6.05	42.8	
	AD1248UB-F51	◎※●	48	0.23	11.04	3200	3.405	120.24	0.326	8.14	48.0	

Specifications subject to change without notice.



\*Motor protective circuit and third lead wire functions

0	1	2	3	4	6	7	8	9	A	B
	✓	✓	✓	✓						

\*Safety approvals

✓	✓		✓	✓