

SIZE: 170x150x55mm

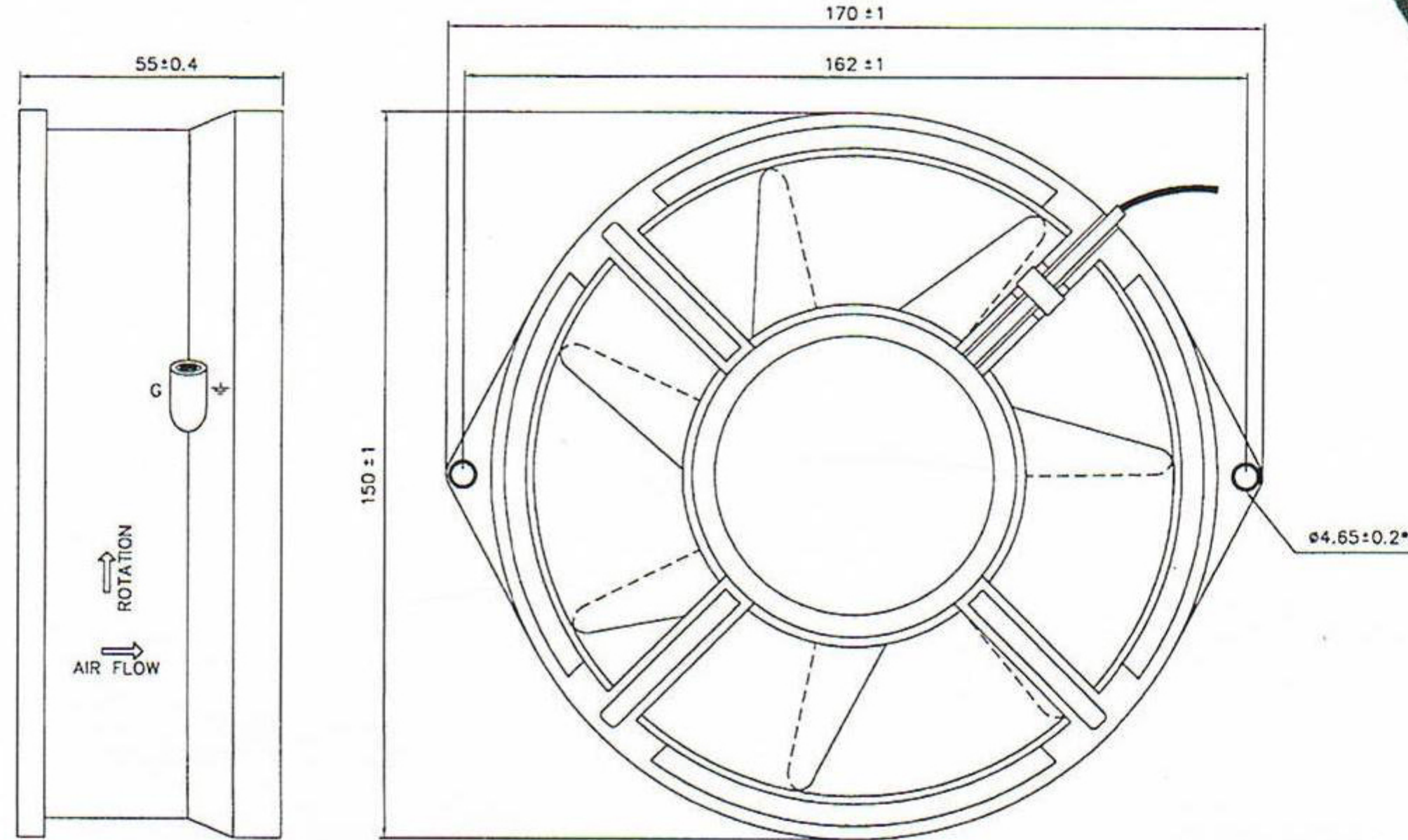
Bearing Type:

Ball

Leader Wire Or Terminal Is Available

*Metal Impeller

★Thermal Switch



Specifications

Specifications are subject to change without notice

Model No.	Bearing	Rated Voltage Vac	Frequency Hz	Max. Rated Current mA	Max. Input Power W	Speed R.P.M.	Max. Air Flow CFM	Max. Air Pressure mmH ₂ O	Max. Air Pressure IN H ₂ O	Noise dB-A
★ 5E115HB	Ball	115	50/60	640/540	48/46	2750/3100	200/240	12.30/13.70	0.48/0.54	50/53
★ 5E230HB	Ball	230	50/60	300/280	46/44	2750/3100	200/240	12.30/13.70	0.48/0.54	50/53