

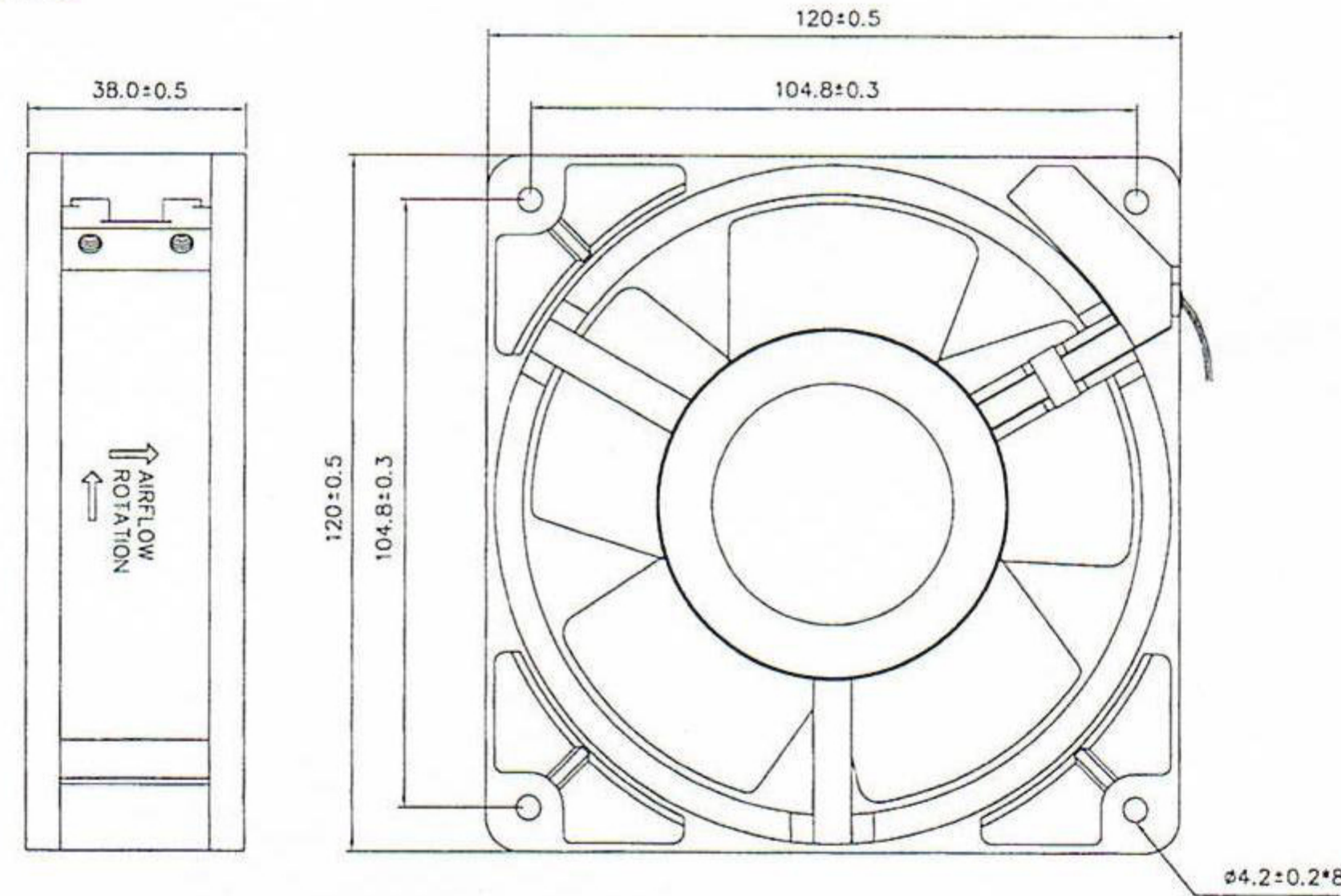
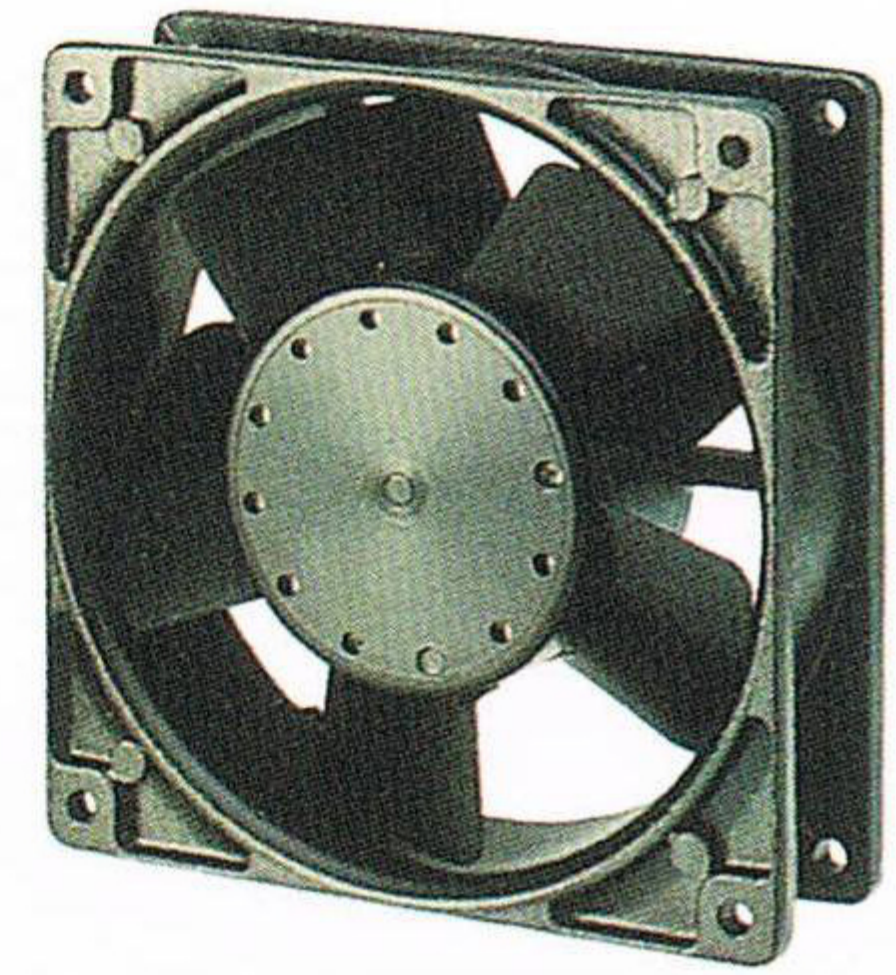
SIZE: 119x119x38mm

Bearing Type:

Ball / Sleeve Bearing

Leader Wire Or Terminal Is Available

*Metal Impeller



Specifications

Specifications are subject to change without notice

Model No.	Bearing	Rated Voltage Vac	Frequency Hz	Max. Rated Current mA	Max. Input Power W	Speed R.P.M.	Max. Air Flow CFM	Max. Air Pressure mmH ₂ O	IN H ₂ O	Noise dB-A
4E115HST	Sleeve	115	50/60	250/240	24/22	2700/3000	106/120	7.0/7.6	0.27/0.29	46/50
4E115HBT	Ball									
4E230HST	Sleeve	230	50/60	140/130	22/21	2700/3000	106/120	7.0/7.6	0.27/0.29	46/50
4E230HBT	Ball									